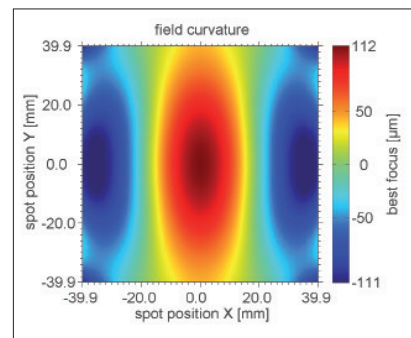
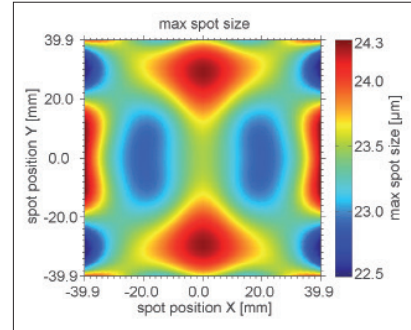


F-Theta JENar® APTALine® Lens

High Power Lens – JENar® APTALine® 160-1030...1080-110-AL

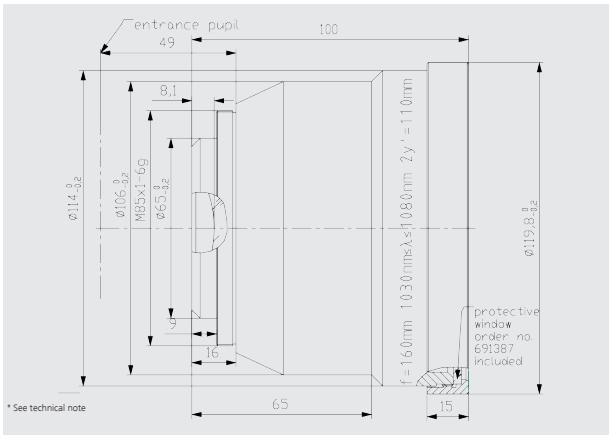
Parameters	JENar® APTALine® 160-1030...1080-110-AL Fused silica lens
Focal length:	160 mm
Wavelength:	1030...1080 nm
Scan field (X x Y); Ø:	(78 mm x 78 mm); 110 mm
Diagonal scan angle:	± 20°
X/Y mirror angle:	± 7.1°
Back working distance:	183.6 mm
Flange focus distance:	267.6 mm
Input beam Ø 1/e ² :	14 mm
Focus size Ø 1/e ² :	22 µm
a1 a2:	17 mm 40.5 mm
Telecentricity (only F-Theta with scanner):	5.2° 5.4°
Absorption:	fused silica: < 15 ppm/cm coating: < 25 ppm
Group delay dispersion (GDD)*:	759 fs ²
LIDT coating pulsed; CW*:	2.5 J/cm ² * (τ/[ns]) ^ 0.30; 2.5 MW/cm ²
LIDT system pulsed; CW*:	2.5 J/cm ² * (τ/[ns]) ^ 0.30; 2.5 MW/cm ²
Weight:	1.08 kg
Order Number:	689620

Spot properties

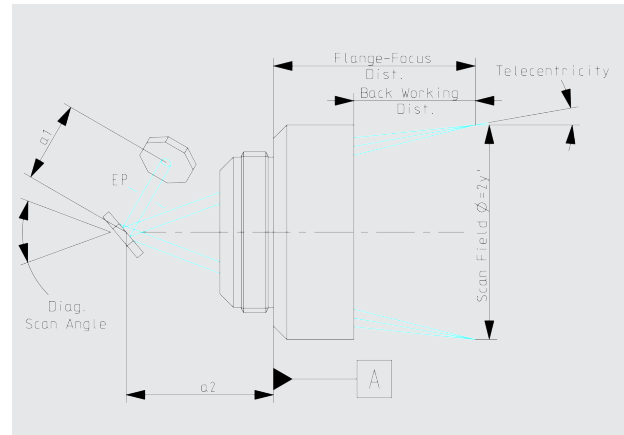


Specifications

JENar® APTALine® 160-1030...1080-110-AL



Definition of geometrical parameters



JENar® registered in: EU, CN, JP, SG, US
 F-Theta registered in: EU, CN, KR, JP, SG, IN, HK, TW
 APTALine® registered in: DE, EU, JP, KR, US, CN

The data given are nominal values for the specified application parameters. Jenoptik provides Zemax® BlackBox files for simulating application results for customized parameters (e.g. wavelength, scanner geometry, beam diameter, ...).
 Back working distance, Flange focus distance, and focal length vary by ± 1.5 % due to manufacturing variances.

It is our policy to constantly improve the design and specifications. Accordingly, the details represented herein cannot be regarded as final and binding.